



Suspension wire rope diameter: 8 mm
Trolley load capacity: 8 kg
Galvanized steel
Suitable for flat and round cables

LINE WIRE ROPE

FESTOON SYSTEM



30604003
Twin roller trolley for flat cable
(saddle: 55 mm, excursion: 30 mm)



30604005
Single roller trolley for flat cable
(saddle: 55 mm, excursion: 30 mm)

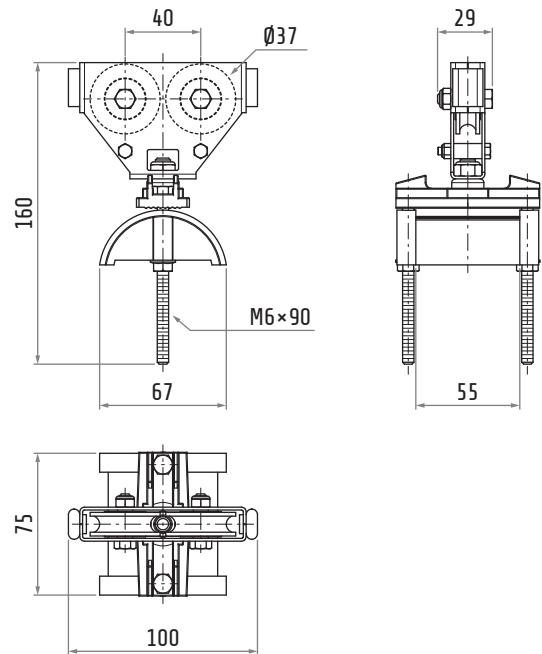
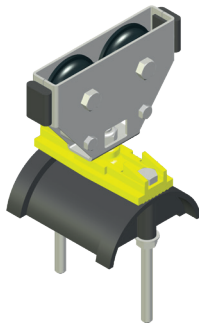


30604007
Single roller trolley with metal clip
for round cable (Ø 18 mm max)



30604003

TWIN ROLLER TROLLEY FOR FLAT CABLE

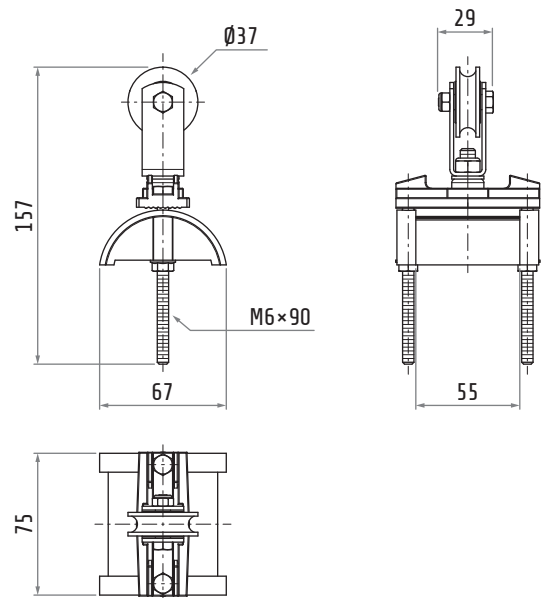
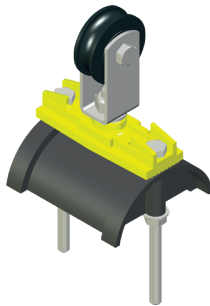


Material	body	galvanized steel and nylon
	hardware	galvanized steel
	rollers	plastic
Weight		~275 g
Saddle		55 mm
Excursion		30 mm



30604005

SINGLE ROLLER TROLLEY FOR FLAT CABLE

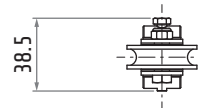
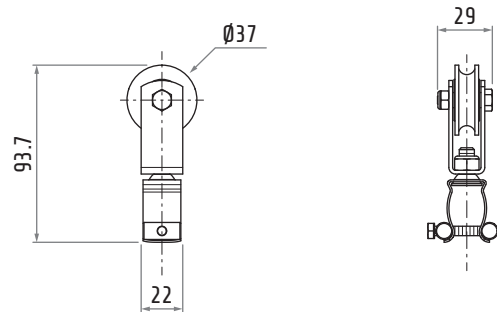


Material	body	galvanized steel and nylon
	hardware	galvanized steel
	roller	plastic
Weight		~165 g
Saddle		55 mm
Excursion		30 mm



30604007

SINGLE ROLLER TROLLEY WITH METAL CLIP FOR ROUND CABLE



Material	body hardware roller	galvanized steel galvanized steel plastic
Weight		~110 g
Cable diameter	max	18 mm